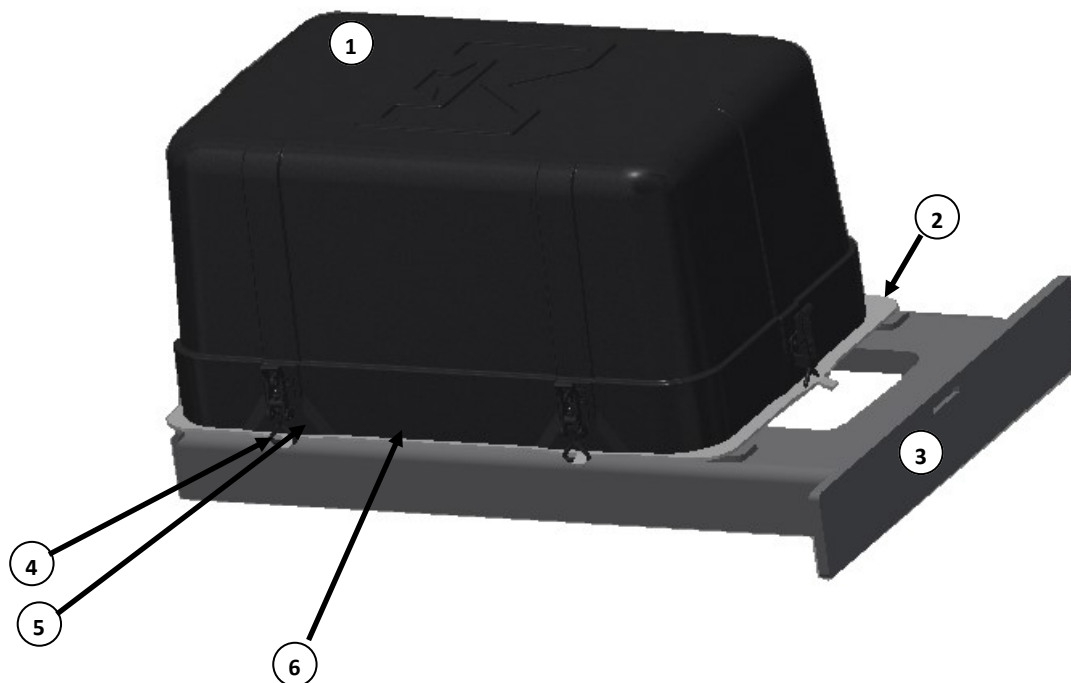


MC3 Kabel/reservdelar



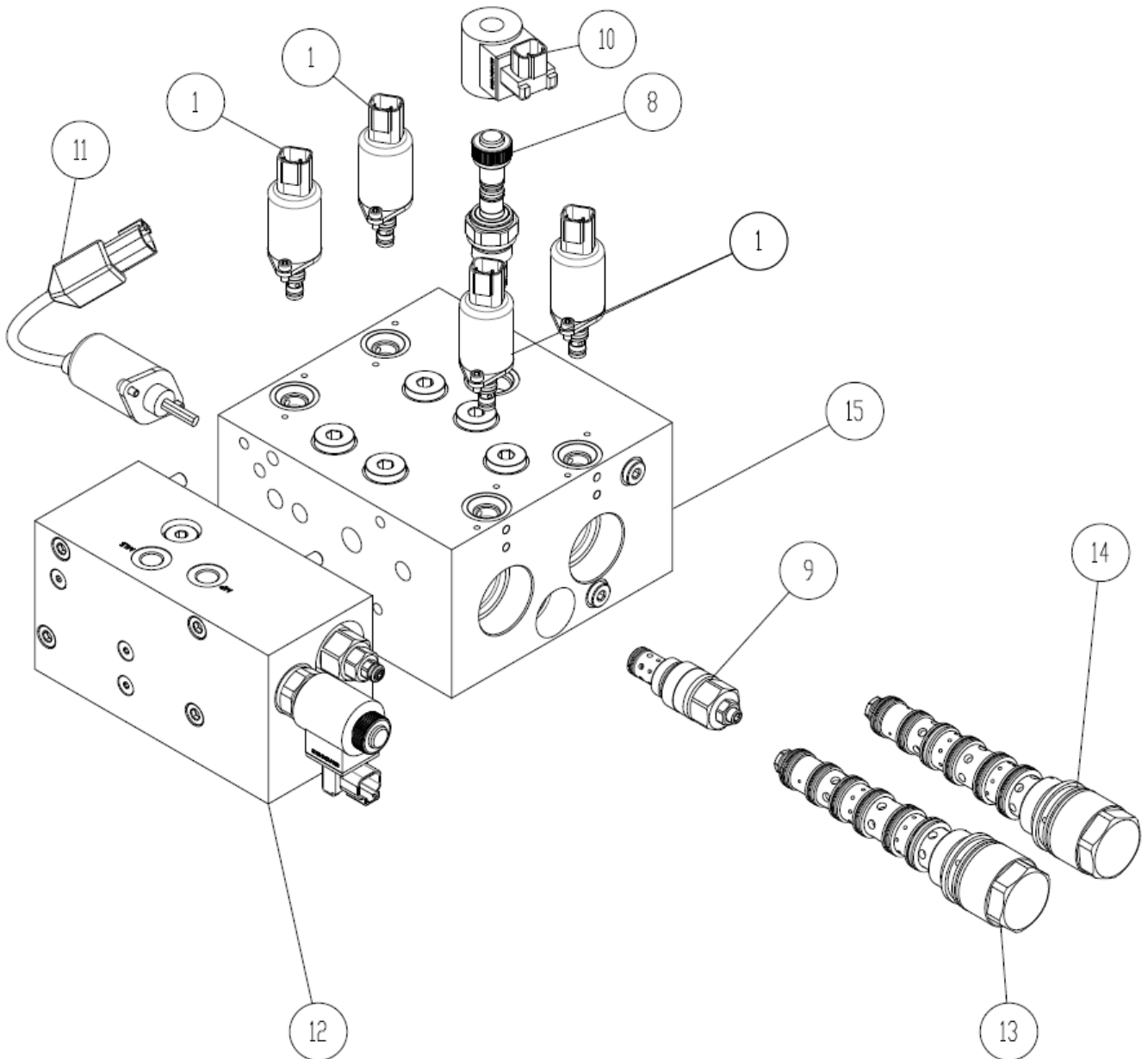


	Name	st	Article number	Remark
1	Joystick MPI MC3	1	10030793	
2	Slidövervakning MC3	1	10035441	
3	Systemkabel 8m CAN MC3	1	10030806	
3-1	Systemkabel 5m CAN MC3	1	10030807	
3-2	Systemkabel 3m CAN MC3	1	10030917	
3-3	Systemkabel 1m CAN MC3	1	10030918	
4	Kablage MRC Fjärrkontroll	1	10030808	
5	Kablage ventiler MIO Frontplog X3 MC	1	10030919	
6	MIO I/O nod MC3	1	10030795	
6-1	Fästplåt MIO-Nod	1	10031454	
7	Kablage - MIO Tippflak X3 - MC3 inkoppling	1	10030921	
8	Kablage ventiler MIO Hyvelblad X3 MC3	1	10030800	
9	Kablage MIO bygling Hyvelblad X4 MC3	1	10030801	
10	Kablage ventiler MIO Plog X3 MC3	1	10030798	
11	Kablage MRC Fjärrkontroll Hane	1	10030910	
12	Termineringsplugg ILME Fjärrkontroll MC3	1	10030809	
13	Skärm / Telefon MC3 inkl Mählers App support	1	10033456	
14	Inkopplingskabel SV1-1 MC3	1	10030923	
15	MCM Hyttmodul MC3	1	10030794	
16-1	MRC Fjärrkontroll trådad MC3	1	10030796	
16-2	Fjärrkontroll MC3 komplett inkl kablage	1	10032779	Komplett
17	Kablage MCM X3 Logger	1	10030925	
18	Kablage MRC Fjärrkontroll Hane 9m	1	10030926	
19	Kablage - MIO Tippflak X4 - MC3	1	10030922	
20	Termineringsplugg Ampseal MC3	1	10030811	
21	Kablage MIO bygling Plog 4DF X4 MC3	1	10030799	
22	Radioenhet tillkoppling plogar ink kabel (3m)	1	10036002	
23	Propotionalventil 24V MC3	1	10033702	



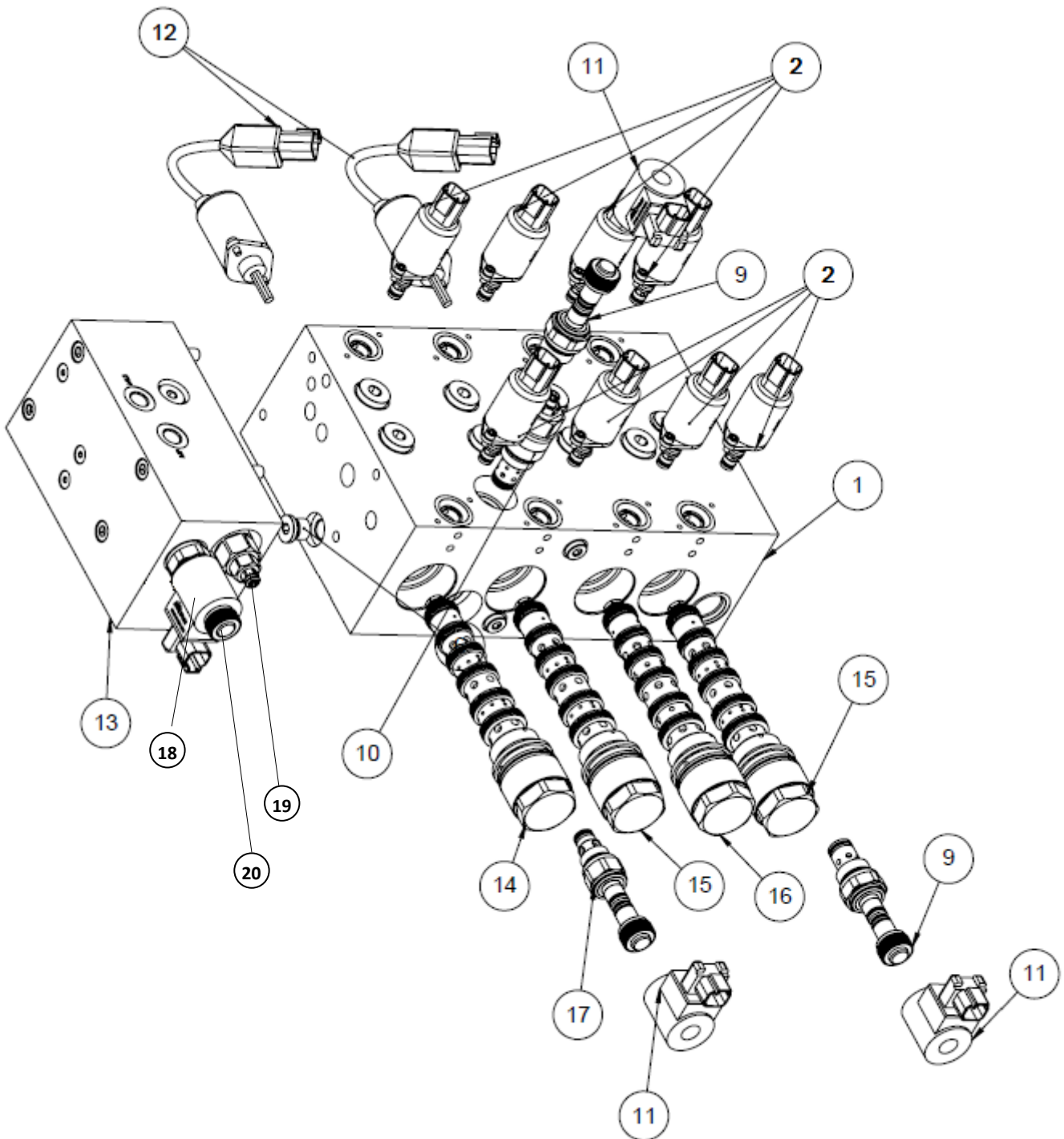
	Name	st	Article number	Remark
1	Plastkåpa Plogpaket 2DF	1	10039963	
1-1	Plastkåpa 4DF-Prop	1	10031704	
1-2	Plastkåpa HB-Prop	1	10031459	
2	Bottenplåt Plogpaket 2DF	1	10031455	
2-1	Bottenplåt 4DF-Prop	1	10031705	
2-2	Bottenplåt HB-Prop	1	10031458	
3	Konsol ventilpaket MC3 2DF		10031468	
3-1	Konsol ventilpaket MC3 HB3N/HB5N + 4DF	1	10031463	
4	Excenterlås EL2030-65-RFE	6	10025446	
4-1	Bricka Excenterlås	6	10028396	
4-2	Blindnit 4,8x10,3 g.o 1,6-6,3 500st	36	10007122	
5	Ringsprint \varnothing 4,5x40	6	60000169	
6	Kant & tätningslist EPDM	2	10027277	

10031385-Ventilpaket Frontplog 100-27122



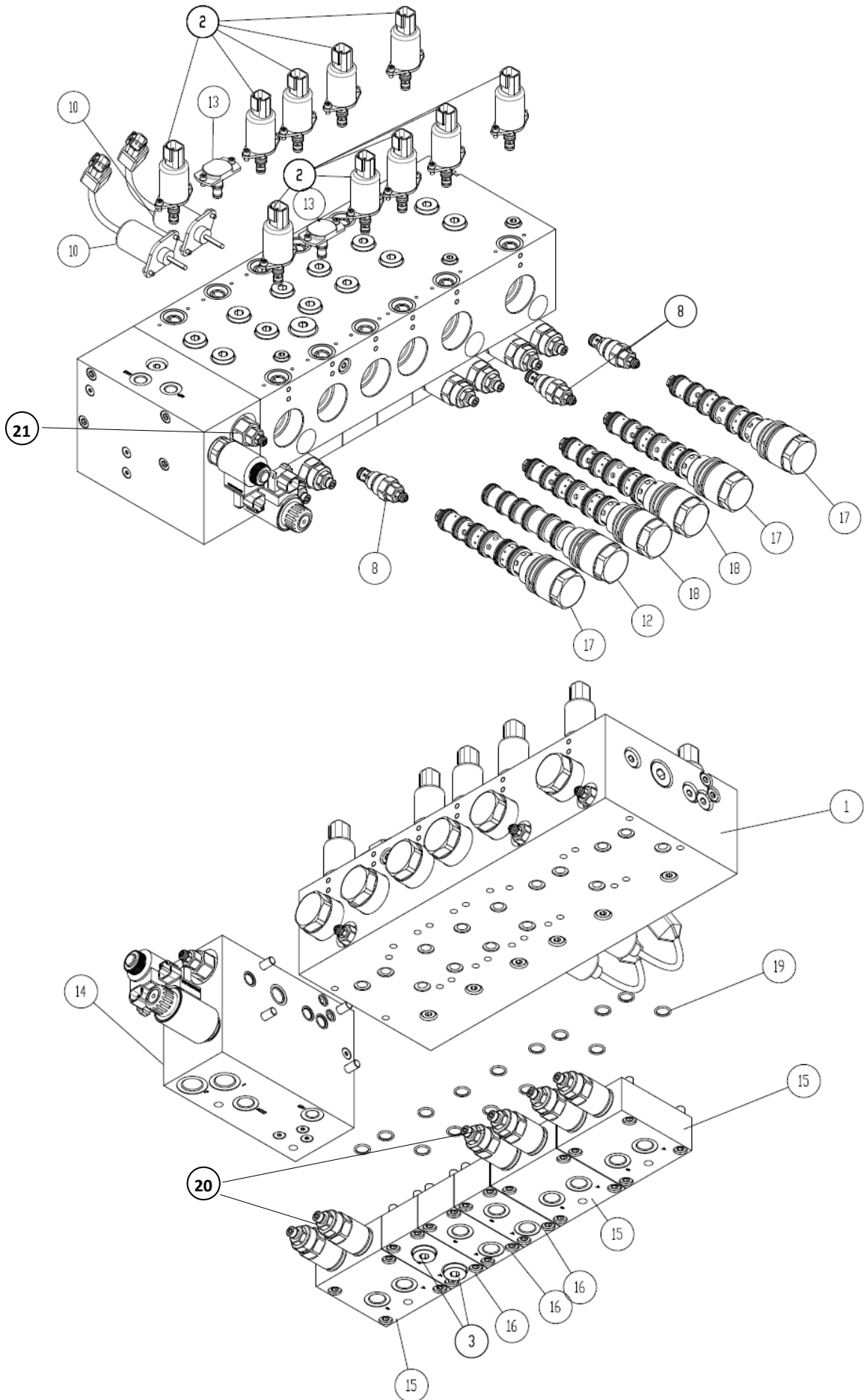
	Name	st	Article number	Remark
1	Propotionalventil 24V MC3	4	10033702	1HV0004
2	G3/8 plugg	5		1TC0003
3		8		1TE0001
4	G1/8 plugg	7		1TC0000
5	G1/4 plugg	3		1TC0002
6	G1/2 plugg	1		1TC0004
7	M4x8 TCEI screw	10		1VV0011
8	SAE10 2 way cartridge valve	1		E10N-22
9	SAE10 2 way port Relief	1	10033700	7120025
10	Solenoid SV1, PLO-0001 24V MC3	1	10035318	7330019
11	Slidövervakning MC3	1	10035441	1HC0005
12	Inlet cover H99	1		5AX0017
13	Slid 40l/min MC3 Stängt centrum	1	10035636	5AM0009
14	Slid 40l/min MC3 Öppet centrum	1	10035635	5AM0010
15	HIC 2 functions	1		OBH0033

10031388-Ventilpaket Front+Sidoplog 100-27121



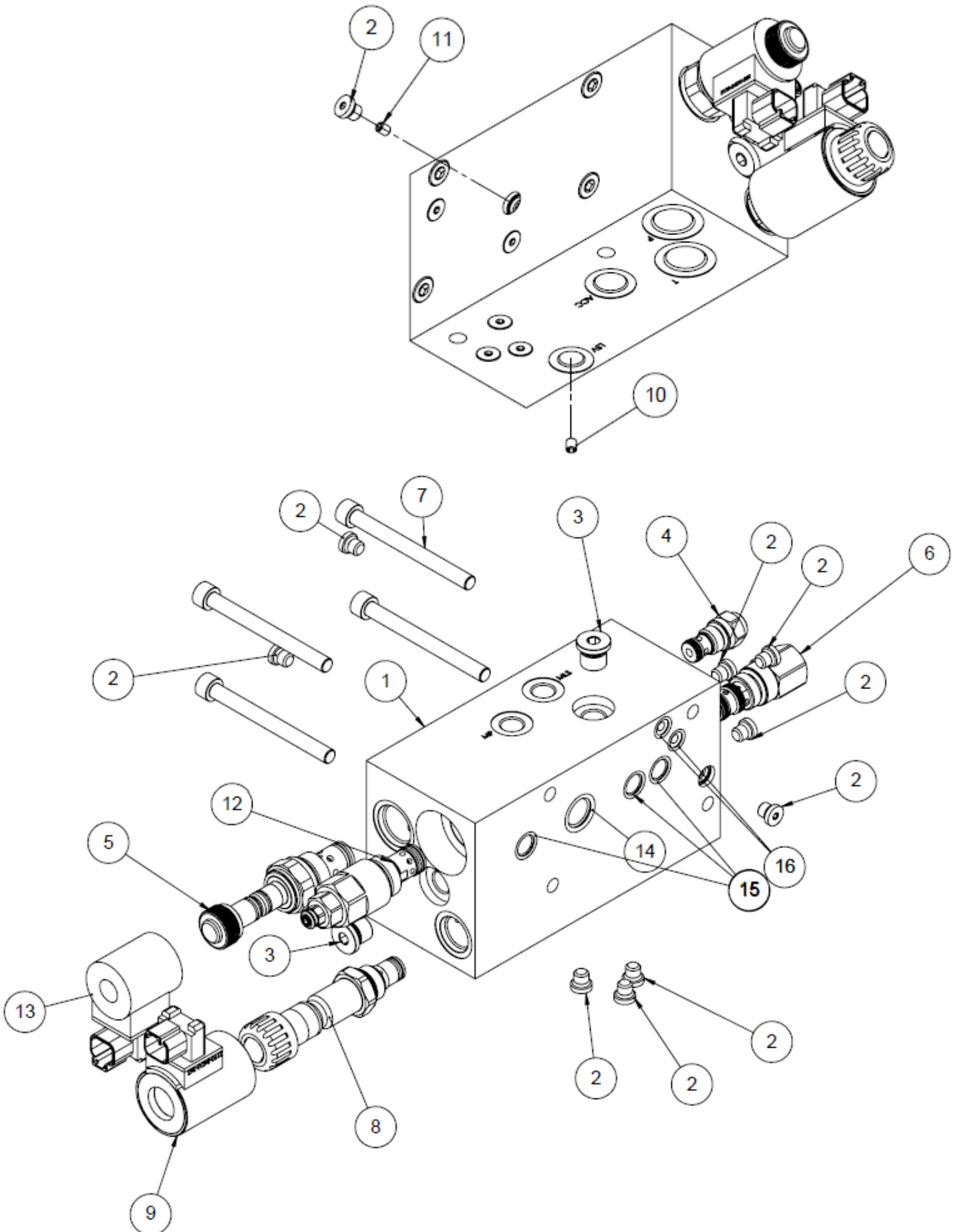
	Name	st	Article number	Remark
1	HIC 4 Function	1		OBH0028
2	Propotionalventil 24V MC3	8	10033702	1HV0004
3	G3/8 plugg	9		1TC0003
4	5x5,5mm Expander plugg	16		1TE0001
5	G1/8 plugg	9		1TC0000
6	G3/4 plugg	5		1TC0002
7	G1/2 plugg	1		1TC0004
8	M4x8 tcei screw	20		1VV0011
9	SAE10 2way NC cartridge valve	2	10038465	7110024
10	SAE10 2way port Relief valve	1	10033700	7120025
11	Solenoid SV1, PLO-0001 24V MC3	2	10035318	7330019
12	Slidövervakning MC3	2	10035441	1HC0005
13	Inlet Cover H99	1		5AX0017
14	Slid 40l/min MC3 Stängt centrum	1	10035636	5AM0009
15	Slid 40l/min MC3 Öppet centrum	2	10035635	5AM0010
16	Slid 60l/min MC3 Stängt centrum	1	10035634	5AM0008
17	SAE08 2way NC cartridge valve	1	10037127	E08N-22
18	Solenoid SV1, PLO-0001 24V MC3	1	10035318	
19	Tryckbegränsare RV1	1	10035637	
20	Elventil E10N-20 SV1 inlopp	1	10038633	
21				
22				

10031389-Ventilpaket HB 92-41600



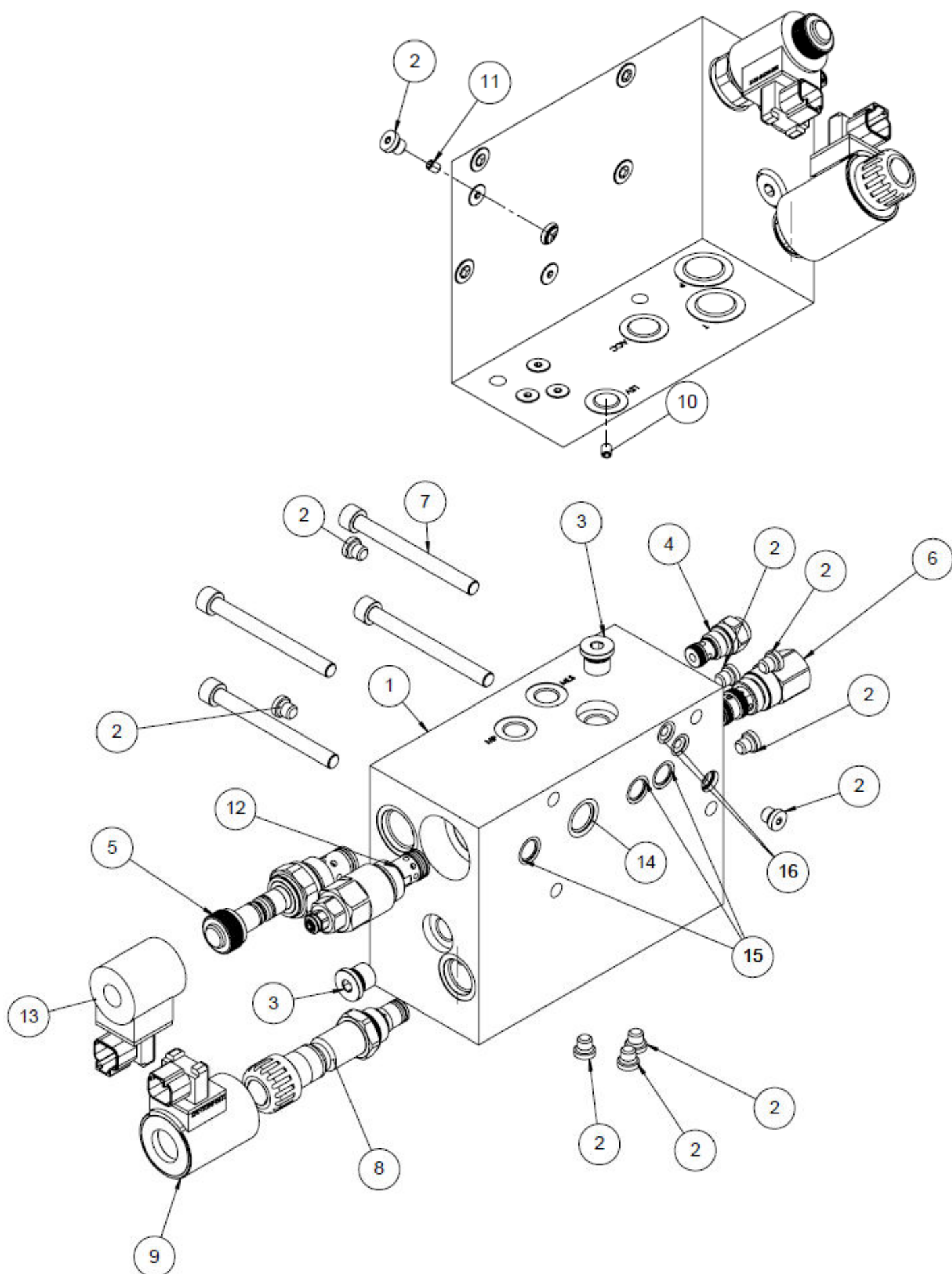
	Name	st	Article number	Remark
1	Hic 6 function	1		OBH0024
2	Propotionalventil 24V MC3	10	10033702	1HV0004
3	G3/8 plugg	14		1TC0003
4	G3/8 plugg	12		1TC0000
5	Expander plugg	24		1TE0001
6	G1/4 plugg	3		1TC0002
7	G1/2 plugg	1		1TC0004
8	Avlastningsventil 20-1 1in2 20÷100BAR	3	10038609	7120004
9	M4x8 TCEI screw	20		1VV0011
10	Position Sensor	2	10035441	IHC0005
11	SAE10/2 cavity plugg	1		5AT0008
12	PRV PPCD04 cavity plugg	1		5AM0013
13	PRV PPCD04 cavity plugg	2		5AT0011
14	INLET COVER H=138	1		5AX0014
15	Double conterbalanse valve	3		5AX008
16	Flange port	3		5AX0019
17	SAE16 Directional valve Ca 30lt/min	3	10035633	5AM0007
18	Slid 30l/min MC3 Stängt centrum	2	10033701	5AM0006
19	O-ring 12,42x1,78 MC3 HB3N/5N	15	10038471	1GS0008
20	Avlastningsventil 20-1 1in2 20÷100BAR	3	10038167	7120004
21	Tryckbegränsare RV1		10035637	
22				

Inlopp Plog - 5AX0015



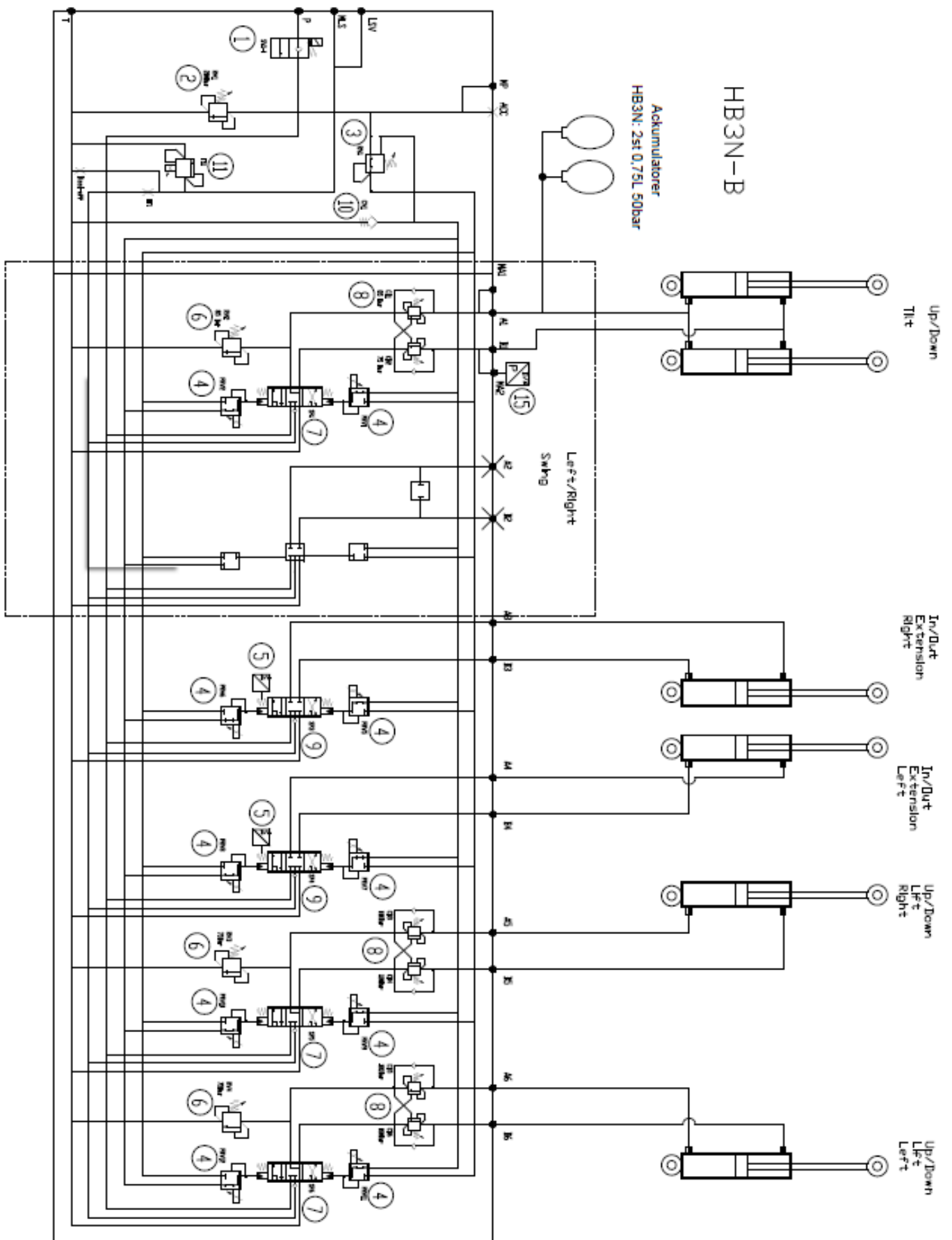
	Name	st	Article number	Remark
1	FIANCATA INGRESSO H=99	1		0BH0029
2	TAPPO SAE 2	10		1TC0008
3	G1/4 CON EX inc.CH6 con OR	2		1TC0002
4	R06S-21-A RITEGNO SAE 6 2in1 1.1 bar	1		7120042
5	Elventil E10N-20 SV1 inlopp	1	10038633	E10N-20
6	LS-Ventil P08R-3X0F	1	10038634	7120020
7	Backventil R06S-21-A	4	10038635	1VV0018
8	PE08MP-20-3 V.Max SAE 8 NA 2 L/MIN	1		7110120
9	S190-24DU-36S. Ø 19 24V 36W	1		7390009
10	Grano M5 con foro Ø0.7	1		1VG0003
11	Grano M5	1		1VG0004
12	Ventil P10M-22 TJH	1	10035362	7120014
13	Solenoid SV1, PLO-0001 24V MC3	1	10035318	7330019
14	OR 17.13X2.62 NBR 70 SHore	1		1GS0029
15	OR 70 SH12.42X1.78 NBR	3		1GS0008
16	OR 70 SH° 9.25X1.78 NBR	2		1GS0004
17				
18				
19				
20				
21				
22				

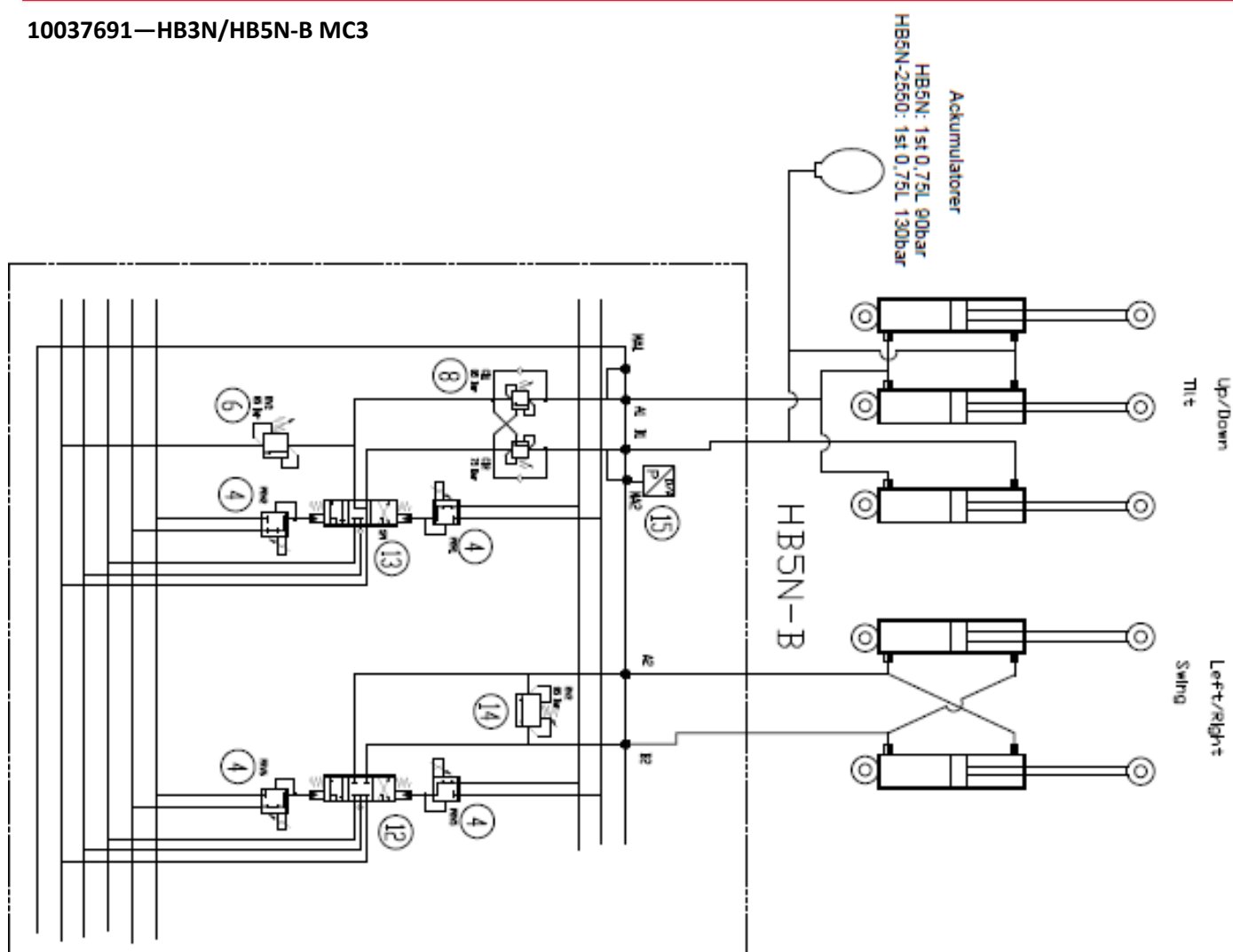
Inlopp Hyvel - 5AX0014



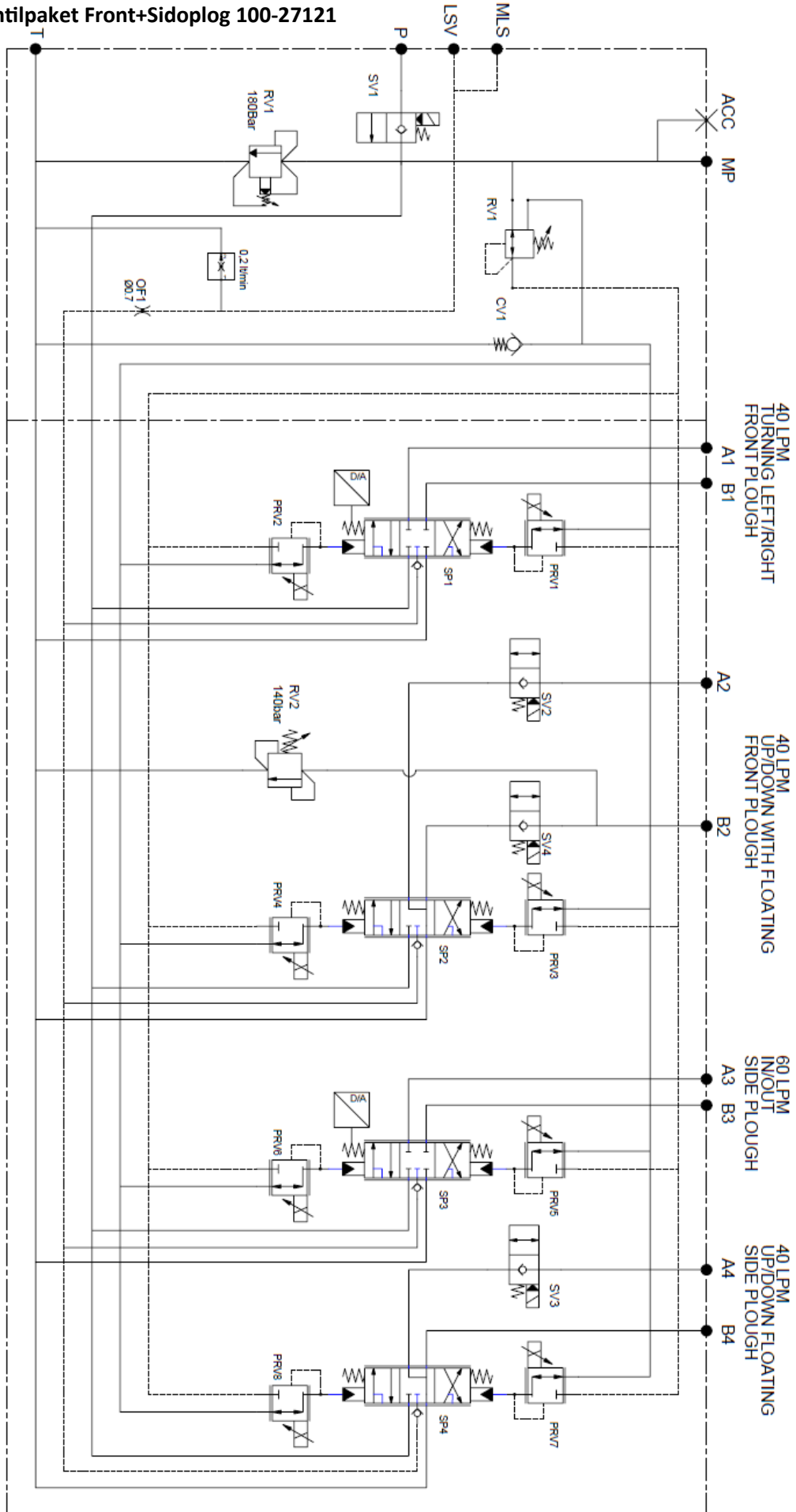
	Name	st	Article number	Remark
1	FINCATA INGRESSO MAGGIORATA	1		0BH0026
2	TAPPO SAE 2	10		1TC0008
3	G1/4 CON EX inc.CH6 con OR	2		1TC0002
4	R06S-21-A RITEGNO SAE 6 2in1 1.1 bar	1		7120042
5	Elventil E10N-20 SV1 inlopp	1	10038633	E10N-20
6	LS-Ventil P08R-3X0F	1	10038634	7120020
7	Backventil R06S-21-A	4	10038635	1VV0018
8	PE08MP-20-3 V.Max SAE 8 NA 2 L/MIN	1		7110120
9	S190-24DU-36S. Ø 19 24V 36W	1		7390009
10	Grano M5 con foro Ø0.7	1		1VG0003
11	Grano M5	1		1VG0004
12	Ventil P10M-22 TJH	1	10035362	7120014
13	Solenoid SV1, PLO-0001 24V MC3	1	10035318	7330019
14	OR 17.13X2.62 NBR 70 Shore	1		1GS0029
15	OR 70 SH12.42X1.78 NBR	3		1GS0008
16	OR 70 SH° 9.25X1.78 NBR	2		1GS0004
17				
18				
19				
20				
21				
22				

10037691—HB3N/HB5N-B MC3



10037691—HB3N/HB5N-B MC3


	Name	st	Article number	Remark
1	Elventil	1		E10N-20
2	Tryckbegränsare RV1	1	10035637	
3	LS-Ventil	1		P08R-3X0F
4	Propotionalventil 24V MC3	10	10033702	
5	Slidövervakning MC3	2	10035441	
6	Tryckbegränsare	3		P08M-20
7	Slid 30l/min MC3 Öppet centrum	2	10035633	
8	Lasthållningsventil C10N MC3 HB3/5	3	10038167	
9	Slid 30l/min MC3 Stängt centrum	2	10033701	
10	Backventil	1		R06S-21-A
11	Patronventil TS1	1	10035638	
12	Slid 30l/min MC3 Stängt centrum	1	10033701	
13	Slid 20l/min MC3 Öppet centrum	1	10036593	
14	Tryckbegränsare MC3	1	10033700	
15	Tryckgivare MC2+MC2B (analog)	1	10016629	

10031388 - Ventilpaket Front+Sidoplog 100-27121




www.mahlers.se

AB Mähler & Söner Hotingsvägen 40, SE-880 51 Rossön, Sweden | **Tel** +46 624 512 350 | **Fax** +46 624 200 50 | **E-post** info@mahlers.se